

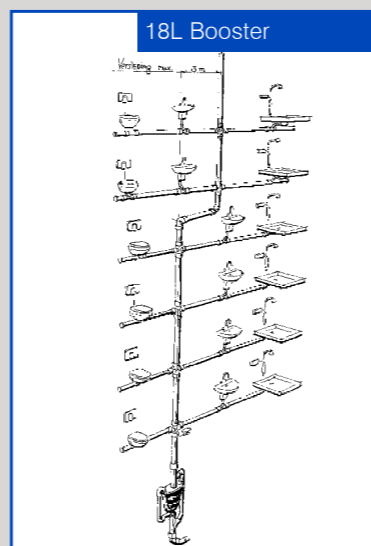
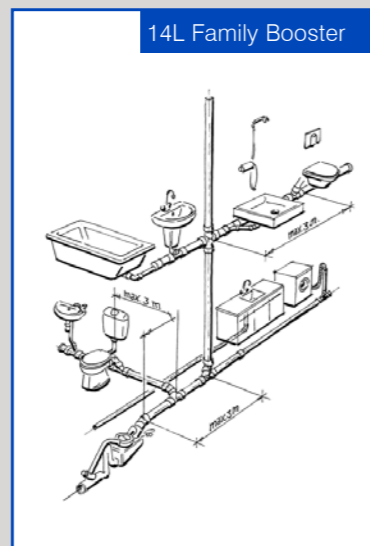
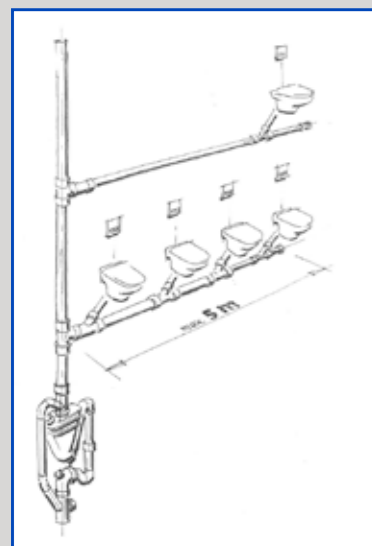
Design guidelines

These guidelines apply to the design and execution of regular sewer systems. You are advised to incorporate the sewer system into your design from an early stage, so that the guidelines can be taken into account in the design of the toilet areas. In addition, the system is suitable for use in renovation projects that include installations with WISA XS built-in systems.

Maximum pipeline lengths

If the collecting main for a wall-mounted closet with a horizontal outlet is above the floor, the distance must be limited to 2 metres for a 110 mm pipeline and 3.5 metres for a 90 mm pipeline and a fall of 1:100. If the fall is 1:50, these maximum lengths can still be used.

In a stacked construction, the collecting main is connected to a waste stack, with the 18-litre Booster being positioned at the bottom of the stack. In low-rise structures the collecting main is connected directly to the 14-litre Booster. To cover a horizontal run after the waste stack, the curve between the horizontal and vertical pipelines must be composed of two 45° curves. The maximum run is three metres with a fall of 1:100 and a maximum of two 45° curves.



For technical instructions, a training course or additional information, please contact us at www.wisa-sanitair.com/contact.



A Fluidmaster Family Brand 

WISA BV Driepoortenweg 5 6827 BP Arnhem Postbus 2194 6802 CD Arnhem
T +31 (0)26 362 90 20 F +31 (0)26 361 45 50 info1@fluidmaster.com www.wisa-sanitair.com



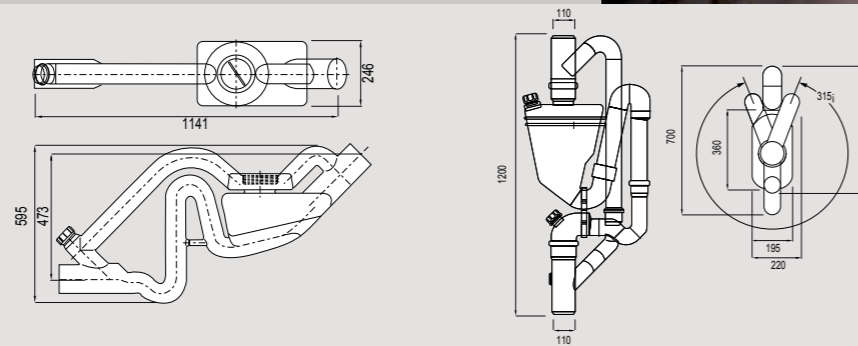
Water saving
technology

Prevent problems and save up to 40% on water consumption

WISA Water Saving Technology enables you to reduce the amount of water used for flushing the toilet by 40%. Thanks to the combination of a WISA XS 4L Dual Flush built-in system and the WISA Booster, only 4 or even 2 litres of water are needed to flush the toilet. This results in an annual saving of approximately 12,000 litres of water per household.

1 + 2 + 3 = 40% reduction of water consumption

WISA Water Saving Technology is a sophisticated sewer system that consists of three components which are carefully aligned to ensure a smoothly functioning system. The first component is the Booster, which arranges the transport of water through the branches. The second crucial component is the 4-litre flushing system, and the third is the 4-litre wall-mounted closet.



1 The Booster 2 The flushing system 3 Ceramic toilets

1 The Booster

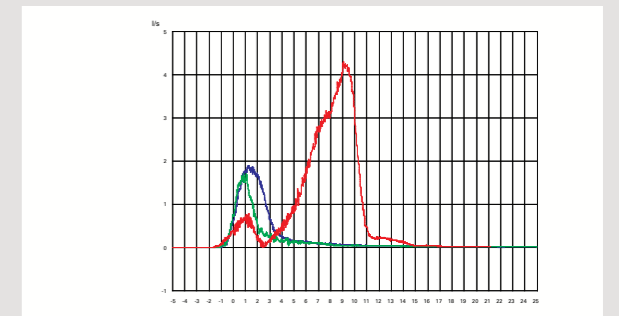
WISA developed the Booster as a means to provide a perfect sewer system and reduce water consumption at the same time. The Booster potentially reduces the amount of water per flushing from an average of 6.7 litres to just 4 litres. With six flushings a day, this amounts to 5,750 litres of clean drinking water saved every year! In addition, the Booster can be used to prevent blockages with traditional flushing volumes.

Many sewage pipes for indoor and outdoor sewer systems are designed for flushing water volumes of 6 to 9 litres. However, since consumers are becoming more and more environmentally conscious and also like the idea of reducing their water bills, the interest in water saving measures has grown. In addition, the increasing efficiency of water-using devices means they need less and less water for transport and cleaning. These developments do however increase the risk of blockage, especially in extra wide pipelines with a less than optimal fall.

WISA has found the ideal solution! The WISA Booster can be installed in existing sewer systems at the bottom of the waste stack in the basement or crawl space. It collects the relatively small amounts of waste water in a tank. As soon as the tank is full the next water flow, for example from a toilet flushing, will trigger the Booster's natural siphoning action causing the entire contents of the tank to be discharged within seconds. This principle always works, without the need for any external energy or mechanism. The resulting significant improvement in the water volume / diameter ratio minimises the risk of blockage. Again, this principle never fails and guarantees the smooth discharge of waste water to and through the sewer system.

The Booster is available in two versions: a 14-litre variant for branches and an 18-litre variant for installation at the bottom of the stack.

Care-free 4-litre flushing with a smooth discharge. The flow rate behind the Booster is many times greater than in the case of a standard 4 or 6-litre flushing.



	One Family Booster 14 L	Booster 18 L
Suitable for use in	Single-family dwellings High-rise buildings ≤ 4 floors	High-rise buildings > 4 floors
Max. connection values - primary deaeration - secondary deaeration	45 l/s 45 l/s	64 l/s 80 l/s
Toilet pipe and waste stack	Max. 2 x 45° curves Max. length of 90mm pipeline: 5 metres Max. length of 110mm pipeline: 3 metres Fall: min. 1:100, max. 1:50	Max. 2 x 45° curves Max. length of 90mm pipeline: 5 metres Max. length of 110mm pipeline: 3 metres Fall: min. 1:100, max. 1:50
Waste stack pipeline and Booster	Max. 2 x 45° curves Max. length of 110mm pipeline: 3 metres Fall: min. 1:100, max. 1:50	Max. 2 x 45° curves Max. length of 110mm pipeline: 3 metres Fall: min. 1:100, max. 1:50
Booster connection	With 45° curve	With coupling sleeve or mirror weld
Sum capacity of discharge equipment	45 l/sec	80 l/sec
Material	PE plastic	PE plastic
Weight	4 KG	6 KG
Capacity	14 litres	18 litres
Article No.	910092050	910092000



2 The flushing system

Water Saving Technology uses the WISA XS Dual Flush reservoir, which is specially designed for use in combination with 4/2 or 4.5/2.5-litre flushings to ensure effective transport to the stack and a smooth triggering of the Booster's siphoning action.

3 Ceramic toilets

For effective flushings using only 4 litres of water a specially designed wall-mounted closet is required which also ensures that the flushing water leaves the toilet at sufficient speed.

The combination of powerful flushings from the WISA XS reservoir and the right type of wall-mounted closet guarantees effective transport to the waste stack. Please note that the pipeline length in this system is limited. For further details, see the design guidelines.