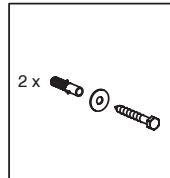
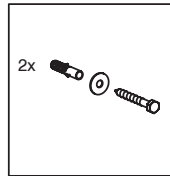
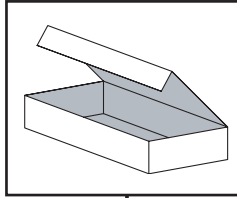
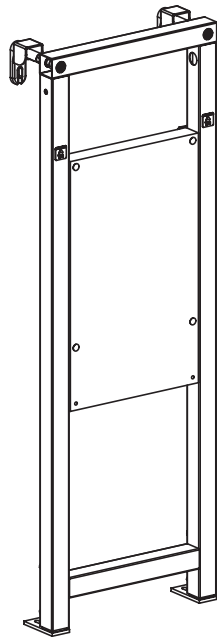




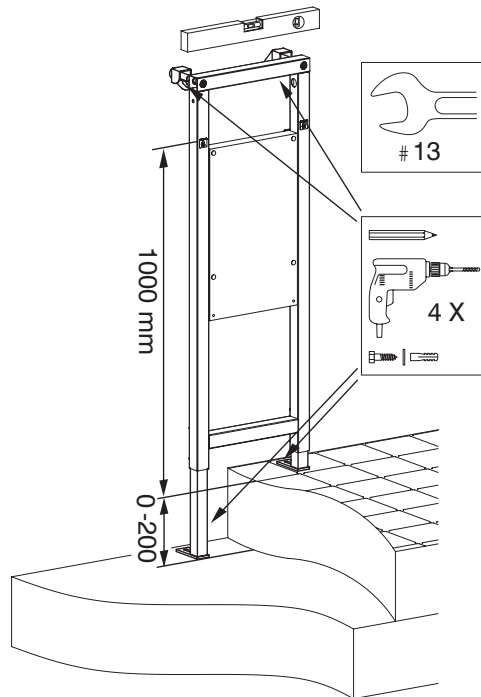
## WISA EXCELLENT

- STEUNBEUGEL ELEMENT
- HALTEELEMENT
- SUPPORT FRAME
- ELEMENT SUPPORT

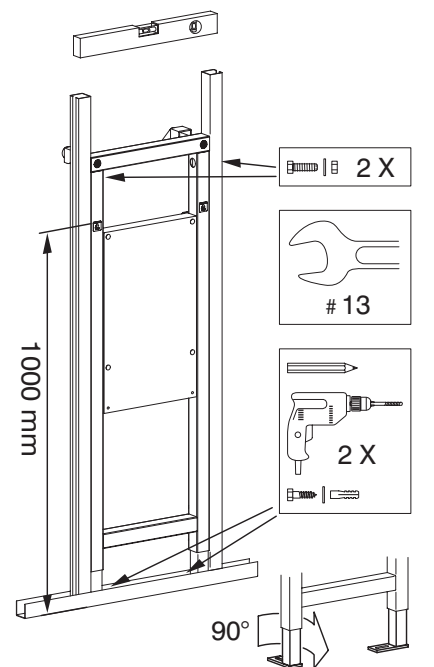
WWW.WISA-SANITAIR.COM



1

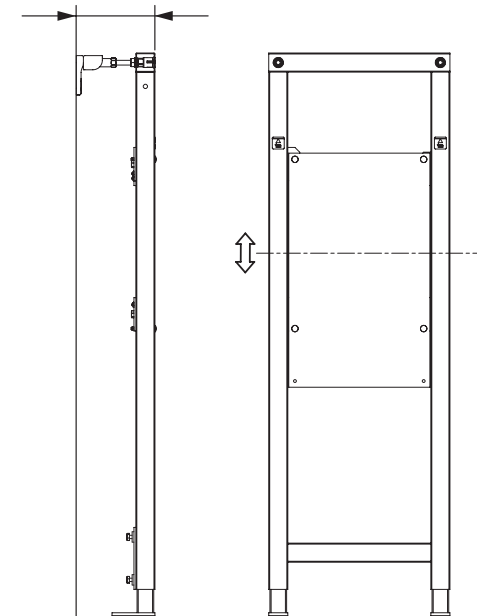


1B



2

MAX 200 mm  
MIN 135 mm





## WISA EXCELLENT

- UITSTORTGOOTSTEEN ELEMENT
- AUSGUSSBECKEN-ELEMENT
- SINK FRAME
- BÂTI SUPPORT ÉVIER

WWW.WISA-SANITAIR.COM

